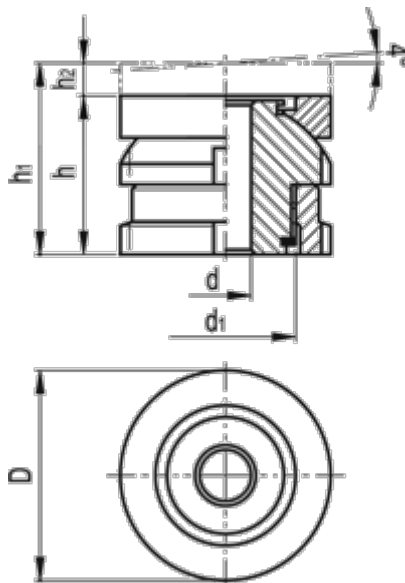


Article number: 203502256635ST

Description: E+G Levelling sets GN 350.2-25-6.6-35-ST

Measures



C-spanner DIN 1810 = A30-32

d = 6.6

D = 25

d1 = M15x1

For screw = M6

h = 35

h1 = 50

h2 = 15

Max static load (kN) = 27.1

Static preload (kN) = 20.26

Weight (g) = 100